

TEMP TAP™ INLET BOX

OUTDOOR QUICK CONNECTION BOX FOR PORTABLE GENERATOR

200A-1600A
UP TO 600VAC



400A TEMP TAP™ INLET BOX



1600A TEMP TAP™ INLET BOX

EMERGENCY OPERATIONS CENTERS • AIRPORTS • HEALTHCARE FACILITIES • COMMUNICATION TOWERS

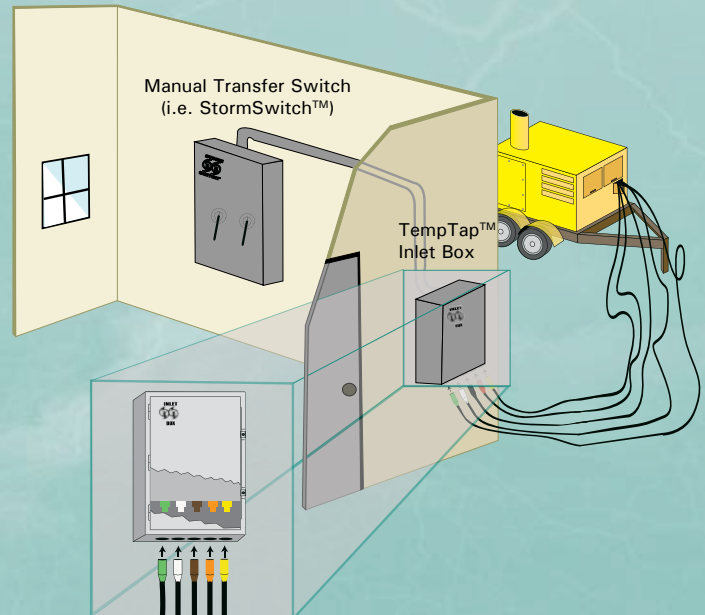


ESL Power Systems, Inc. manufactures specialized electrical equipment, including manual transfer switches (StormSwitch™ & TripleSwitch™) and tap/inlet boxes (TempTap™) for emergency backup power.

ESL's TempTap™ boxes provide end users with a safe and simple solution to connect a portable generator to a facility. Once installed by a licensed electrician, connection to a portable generator is easy with color-coded cam-style receptacles. Connections can be made in a matter of minutes, ensuring time without power is held to a minimum.

ESL's TempTap™ box series is designed to meet power requirements ranging from 200A-1600A and up to 600VAC. Additional key features include:

- 400A 600VAC Cam-style Male Connectors (Parallel Phases as Needed) for Easy Generation Connection
- 14GA CRS Powder Coated Enclosure Resists Corrosion and Abuse
- Hinged, Padlockable Access Door and Deadfront for Safe Generator Connection
- Hinged Access Plate Secures Cable Entry Compartment when Not in Use
- UL and cUL 1008 Listed



TEMP TAP™ INLET BOX PRODUCT SELECTION:

IB8 - 480 - 3 1 1 - S - C

Model
 IB4=0 - 400A
 IB8=401 - 800A
 IB12=801 - 1200A
 IB16=1201 - 1600A

System (Male Connector)
 1=1Ø, 2W
 2=1Ø, 3W
 3=3Ø, 4W and 3Ø, 3W

S=Single-stab
 Cam-style
 Connectors
 P=POSI-LOK™

Ground
 1=(1) Male
 5=(1) Female

Enclosure Material
 C=CRS
 S=304SS
 S6=316SS

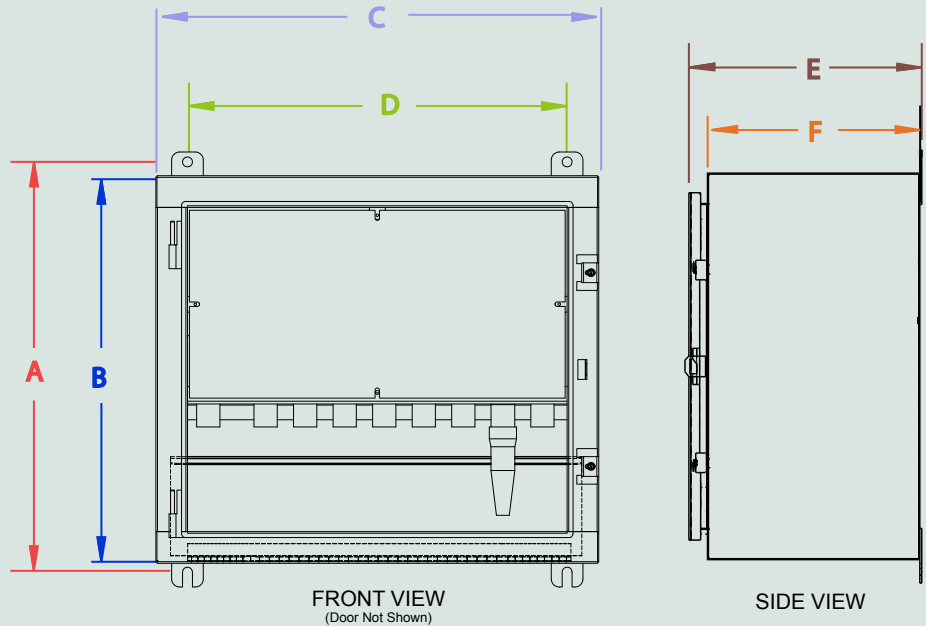
Voltage
 240=208 - 240VAC
 480=380 - 480VAC
 600=600VAC

Neutral
 0=None
 1=(1) Male
 5=(1) Female

Contact ESL for additional options, dimensions, and specifications.

Dim	IB4	IB8	IB12/IB16
A	25.44"	25.94"	26.94"
B	24"	24.50"	25.33"
C	17.6"	28"	39"
D	13.6"	24"	35"
E	13.25"	14.76"	16.26"
F	12"	13.50"	15"

- Dimensions are subject to change. Please verify with factory.



Max Current Rating (Amps)	Model	Max Voltage Rating (VAC)	Load Terminals Per Phase & Neutral	Ground Lug (AWG, kcmil)	Cam-style Receptacle Size Per Phase & Neutral (Amps)	Ground Cam-style Receptacle Size (Amps)	Enclosure Material	Max Current Withstand Rating in KA
200	IB4	600	(1) 1/2 -13x7/8" stud	(1) #6-250	(1) 400	(1) 400	14 GA CRS Gray	TBD
400	IB4	600	(1) 1/2 -13x7/8" stud	(1) #6-250	(1) 400	(1) 400	14 GA CRS Gray	TBD
600	IB8	600	(2) 1/2 -13x7/8" stud	(1) #6-250	(2) 400	(1) 400	14 GA CRS Gray	42
800	IB8	600	(2) 1/2 -13x7/8" stud	(1) #6-250	(2) 400	(1) 400	14 GA CRS Gray	42
1000	IB12	600	(3) 1/2 -13x7/8" stud	(1) #6-250	(3) 400	(1) 400	14 GA CRS Gray	42
1200	IB12	600	(3) 1/2 -13x7/8" stud	(1) #6-250	(3) 400	(1) 400	14 GA CRS Gray	42
1400	IB16	600	(4) 1/2 -13x7/8" stud	(1) #6-250	(4) 400	(1) 400	14 GA CRS Gray	42
1600	IB16	600	(4) 1/2 -13x7/8" stud	(1) #6-250	(4) 400	(1) 400	14 GA CRS Gray	42