

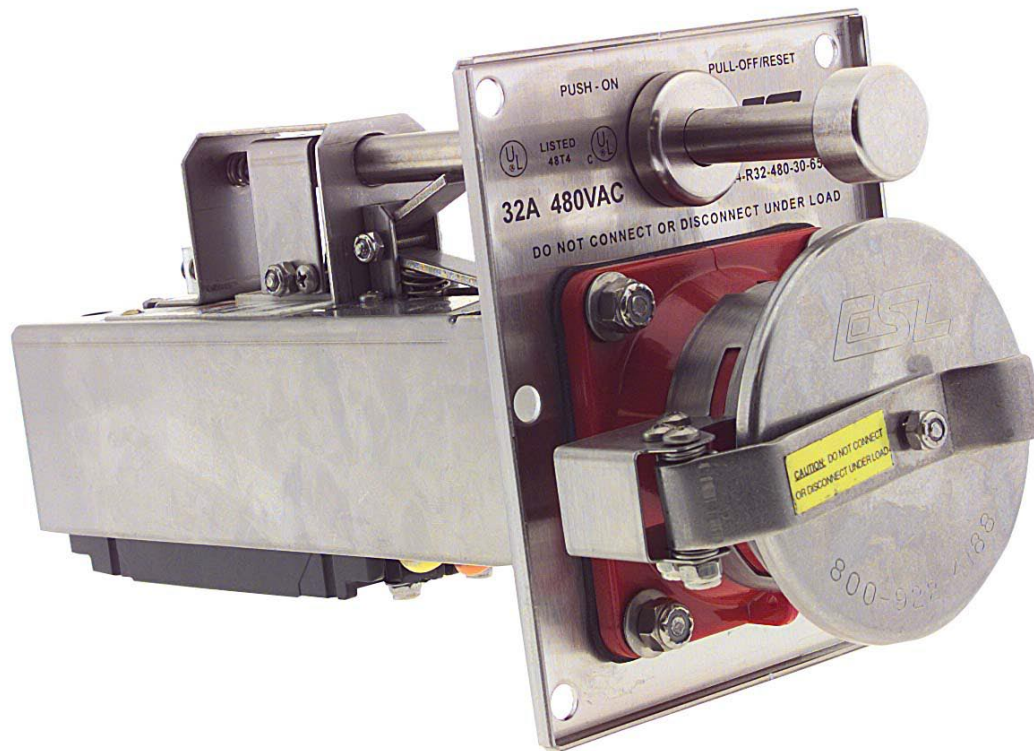
# INTERLOCKED POWER MODULE

## 32AMP 480VAC

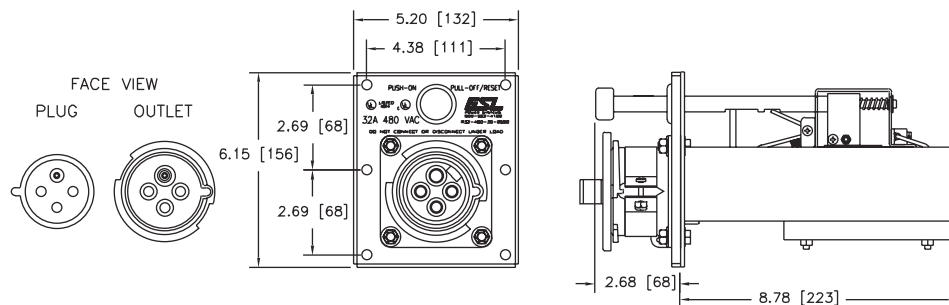
(32A 380/440VAC per IEC 309/CEE-17 3h)

Catalog No: R32-480-30-65SD-SP

Item No: 1700-59A



- Heavy Duty Stainless Steel Construction Resists Corrosion & Abuse
- UL Listed Circuit Breaker Protects Operator & Equipment
- Nickel Plated Brass Contacts & Unique Outlet Design Resists Corrosion & Arc Tracking



**RATING:**

- Receptacle - 32A 380/440V 50/60 Hz (480V 60Hz USA) per IEC 309-2 (CEE-17 3h)
- Circuit Breaker - 30A Trip / 65,000AIC @ 480VAC  
other Trip and AIC ratings available - Contact Factory
- Environmental - (With Mated Plug or Screw Cover) IP67 per IEC 529 / IEC 309-1  
Type 4X capable per NEMA 250, UL 50/508, CSA 22.2
- Terminals - (3) Phase & (1) Ground pressure type screw terminal  
Phase: #10 - #2 AWG (2.5-10mm<sup>2</sup>) Wire Range  
Ground: #10 - #2 AWG (2.5-10mm<sup>2</sup>) Wire Range

**MATERIALS:**

- Stainless Steel - Frame, On/Off Rod, Interlock Mechanism, Contact Terminal Screws & Spring, Snap Cover, Screw Cover Tether, and all Fasteners
- Nickel Plated Brass - Contact Sleeves
- Polycarbonate (PC) - Receptacle Housing
- Polyamide (Nylon) - Screw Cover (optional)
- Neoprene (CR) - Gaskets, Cover Seals
- Buna-N (Nitrile/NBR) - O-Rings

**APPROVALS:**

UL/cUL Listed Module • UL 489 Listed / CSA Certified Molded Case Circuit Breaker

**ACCESSORIES / PARTS**

| Description                          | Item No. | Description                   | Item No. |
|--------------------------------------|----------|-------------------------------|----------|
| • Stainless Steel Snap Cover Assy    | 1500-01  | • Circuit Breaker             | 4020-17  |
| • Screw Cover (option) & Tether Assy | 1500-15  | • Phase Sleeve Kit (set of 3) | 4015-01  |
| • Receptacle & Contact Sleeve Assy   | 4010-05  | • Ground Sleeve Kit           | 4016-03  |

**ESL Power Systems, Inc.**

2800 Palisades Drive • Corona, CA 92880-9427  
Tel: (951) 739-7020 • (800) 922-4188 • Fax: (951) 739-7048  
www.eslpwr.com • e-mail: info@eslpwr.com

