

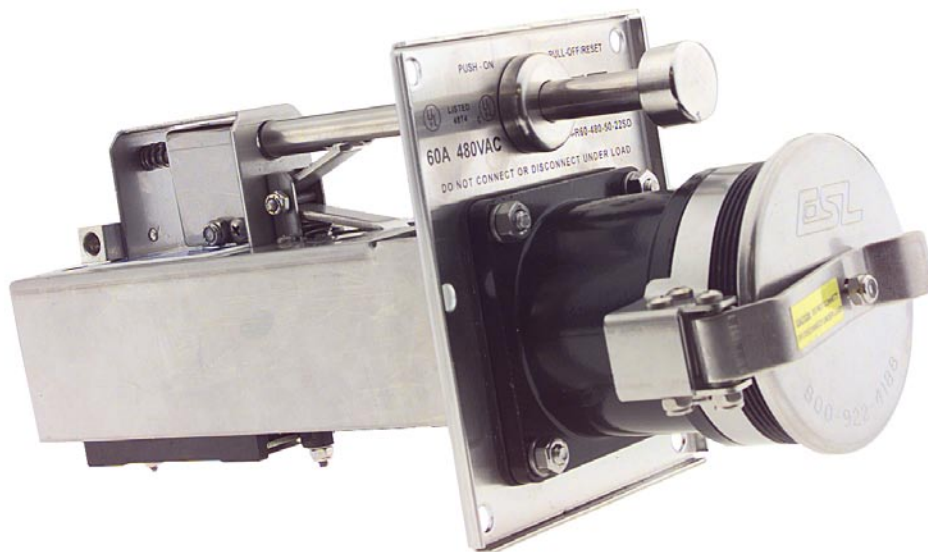
INTERLOCKED POWER MODULE

60AMP 480VAC

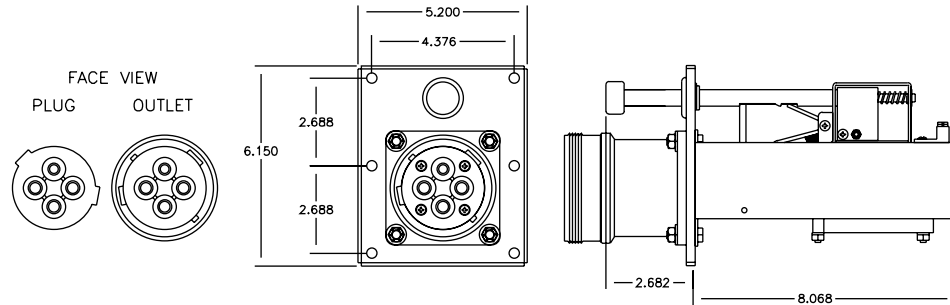
(60A 480VAC)

Catalog No: R60-480-30-22SSD-SP

Item No: 1700-75A



- Heavy Duty Stainless Steel Construction Resists Corrosion & Abuse
- Heavy Duty Stainless Steel Receptacle Housing
- UL Listed Circuit Breaker Protects Operator & Equipment
- Nickel Plated Brass Contacts & Unique Outlet Design Resists Corrosion & Arc Tracking



RATING:

- Receptacle - 60A 480VAC
- Circuit Breaker - 30A Trip / 22,000AIC @ 480VAC
- Environmental - IP67 per IEC 529
(Screw Cover) Type 4X capable per NEMA 250, UL 50/508, CSA 22.2
- Terminals - (3) Phase & (1) Ground pressure type screw terminal
Phase: #10 - #4 AWG (4-25mm²) Wire Range
Ground: #10 - #4 AWG (4-25mm²) Wire Range

MATERIALS:

- Stainless Steel - Frame, On/Off Rod, Interlock Mechanism, Contact Terminal Screws & Spring, Snap Cover, Receptacle Housing and all Fasteners
- Rynite - Contact Carrier
- Brass Nickel Plated - Contact Sleeves
- Thermoplastic Polyester (PET) - Screw Cover (optional)
- Neoprene (CR) - Gaskets, Cover Seals
- Buna-N (Nitrile/NBR) - O-Rings

APPROVALS:

UL Listed Module • UL 489 Listed / CSA Certified Molded Case Circuit Breaker

ACCESSORIES / PARTS

Description	Item No.	Description	Item No.
• Stainless Steel Snap Cover Assy	1501-35	• Circuit Breaker	4020-01
• Screw Cover (optional) & Tether Assy	1500-14	• Receptacle & Contact Sleeve Assy	2000-32A



ESL Power Systems, Inc.
 2800 Palisades Drive • Corona, CA 92880-9427
 Tel: (951) 739-7020 • (800) 922-4188 • Fax: (951) 739-7048
 www.eslpwr.com • e-mail: info@eslpwr.com