

WATERTIGHT FEMALE CORD CONNECTOR

50AMP 240VAC

Catalog No: E534FC

Item No: 1900-04P

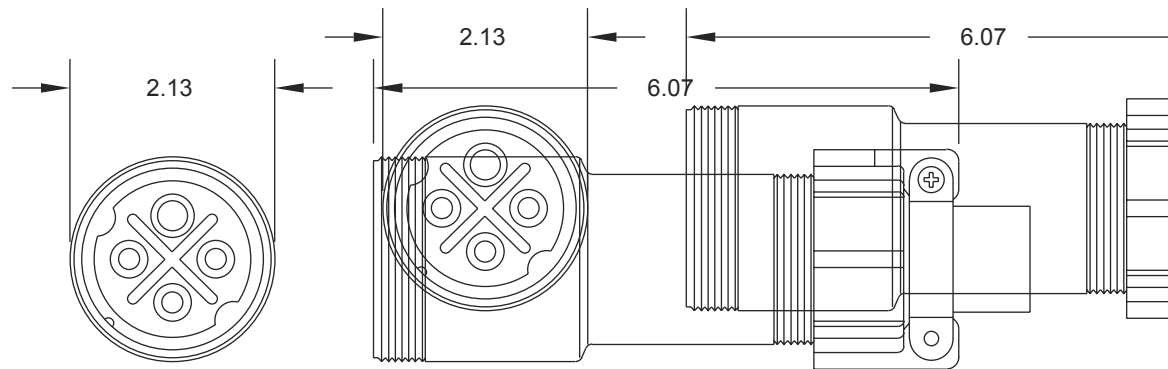


- In-line Cord Connector
- Watertight Connector-mated
- Heavy Duty Design for Marine Environment

SPECIFICATIONS

Catalog No: E534FC

Item No: 1900-04P



RATING:

Electrical -

50A 240VAC (220/240VAC 50/60 Hz)

Terminals -

(3) Phase & (1) Ground Pressure type M6 screw terminals (1 per Pole) accept #8 - #6 AWG (4 - 6 mm²) conductors

MATERIALS:

Body -

Polycarbonate, Blue

Gland ring -

Polyamid, Black

Gland Clamp -

SS

Insert -

Phenolic, Black

Inner Sleeve -

Polyamid, Black

Contact Pins -

Brass

Gaskets -

Polychloroprene

Cable Grommet -

Neoprene

O-Rings -

Buna-N